

DMX512 Decoder Series

1. Technical parameter:

Model: RE2501

Input Voltage: 12-24V DC

Control mode/agreement: DMX512 Signal

packing: 1*50

Work Temp.: -30°C~70°C

Gross Weight: 220g

Product size: L160*W47*H22(mm)



2. Product Features:

Signals connected socket: input RJ45.

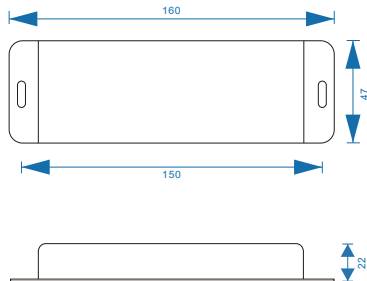
Output RJ45, 3 PIN pressure buckle terminals.

Input to output, output to output electrical isolation pressure: > 1000V.

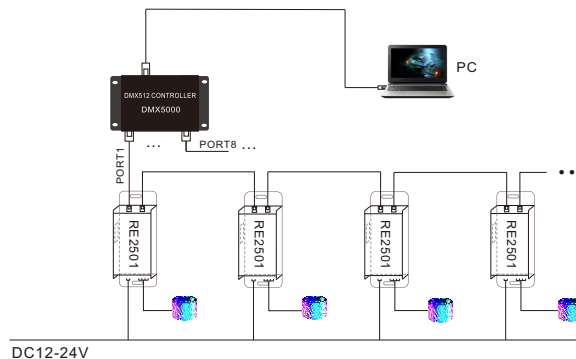
Signal types: DMX512, and the RS-485 interface of various digital signal transmission.

3. Product Size:

Unit:mm



4. Wiring Diagram:



5. Operating Instructions:

DMX Input Interface: RJ45 interface.

DMX Output: 3 PIN pressure terminals.

Signal input interface: RJ45, Signal Output interface: RJ45 or 3 PIN pressure

6. Notes:

DMX signal cable is made of twisted pair (line), DMX signal includes positive and negative end, in pressure welding DMX signal line plug should pay special attention to polarity. DMX512 controller output signal positive, signal negative, signal ground with DE8008 input interface corresponding connection.

DMX5000 output and DE8008's transmission lines can't be over 300 meters.

DMX5000 each interface can with not more than 170 DE8008. Eight output interface. Through the JBLEED FLASH light making software and can with computer on line control. Realize infinite contact the DMX lights.

When contacting 32 DE8008, DMX signal must add a signal amplifier RE2501. Cascade can't more than 4 PCS.